

ADDENDUM NO. 1  
SEWER SYSTEM IMPROVEMENTS  
CONTRACT 19-01  
SEWAGE PUMPING STATION RENOVATIONS  
LIVINGSTON, TENNESSEE  
WAUFORD PROJECT NO. 2067

Date of Addendum: Friday, July 5, 2019  
Bid Opening: Thursday, July 11, 2019, 2:00 P.M. Local Time

1. BID FORM

Replace BID FORM Pages BF-3, BF-4 and BF-5 with attached Pages BF-3\*, BF-4\* and BF-5\*.

2. Plans, Sheets 2, 4, 6, 8, and 10:

Modify as shown on the attached 8 ½" x 11" sheets.

J. R. WAUFORD & COMPANY,  
CONSULTING ENGINEERS, INC.



---

J. Gregory Davenport, P.E.  
Tennessee License No. 104881

5. CONTRACT NO. 19-01 – SEWAGE PUMPING STATION RENOVATIONS

**5a. Sewage Pumping Stations**

BID FORM A – HILLCREST SPS

Bids shall include applicable taxes and fees.

Lump Sum Price

For performing all labor and furnishing all materials and equipment necessary for constructing the new Hillcrest SPS using submersible pumps, complete in place, including all equipment, electrical work, all site development, piping, emergency pump connection, ductile iron force main segments, and appurtenances as shown on the Plans and/or specified for the lump sum amount of:

**TOTAL BID FORM A** \$ \_\_\_\_\_

BID FORM B – BUENA VISTA SPS

Bids shall include applicable taxes and fees.

Lump Sum Price

For performing all labor and furnishing all materials and equipment necessary for constructing the new Buena Vista SPS using submersible pumps, complete in place, including all equipment, electrical work, all site development, piping, emergency pump connection, ductile iron force main segments, and appurtenances as shown on the Plans and/or specified for the lump sum amount of:

**TOTAL BID FORM B** \$ \_\_\_\_\_

BID FORM C – HIGH SCHOOL SPS

Bids shall include applicable taxes and fees.

Lump Sum Price

For performing all labor and furnishing all materials and equipment necessary for constructing the new High School SPS using submersible pumps, complete in place, including all equipment, electrical work, all site development, piping, emergency pump connection, ductile iron force main segments, and appurtenances as shown on the Plans and/or specified for the lump sum amount of:

**TOTAL BID FORM C** \$ \_\_\_\_\_

5. CONTRACT NO. 19-01 – SEWAGE PUMPING STATION RENOVATIONS  
(cont'd)

BID FORM D – HIDDEN VALLEY SPS

Bids shall include applicable taxes and fees.

Lump Sum Price

For performing all labor and furnishing all materials and equipment necessary for renovating the Hidden Valley SPS using submersible pumps, complete in place, including all equipment, electrical work, all site development, piping, emergency pump connection, ductile iron force main segments, and appurtenances as shown on the Plans and/or specified for the lump sum amount of:

**TOTAL BID FORM D** \$ \_\_\_\_\_

BID FORM E – INDUSTRIAL PARK SPS

Bids shall include applicable taxes and fees.

Lump Sum Price

For performing all labor and furnishing all materials and equipment necessary for constructing the new Industrial Park SPS using submersible pumps, complete in place, including all equipment, electrical work, all site development, piping, emergency pump connection, ductile iron force main segments, and appurtenances as shown on the Plans and/or specified for the lump sum amount of:

**TOTAL BID FORM E** \$ \_\_\_\_\_

BID FORM F – SEWER LINE "S-1"

Bids shall include applicable taxes and fees.

Lump Sum Price

For performing all labor and furnishing all materials and equipment necessary for constructing gravity sewer line "S-1", complete in place, including all PVC piping, connections, manholes, fill material, and appurtenances as shown on the Plans and/or specified for the lump sum amount of:

**TOTAL BID FORM F** \$ \_\_\_\_\_

5. CONTRACT NO. 19-01 – SEWAGE PUMPING STATION RENOVATIONS  
 (cont'd)

**TOTAL BID FOR CONTRACT 19-01  
 (BID FORMS A THROUGH F)**

\$ \_\_\_\_\_

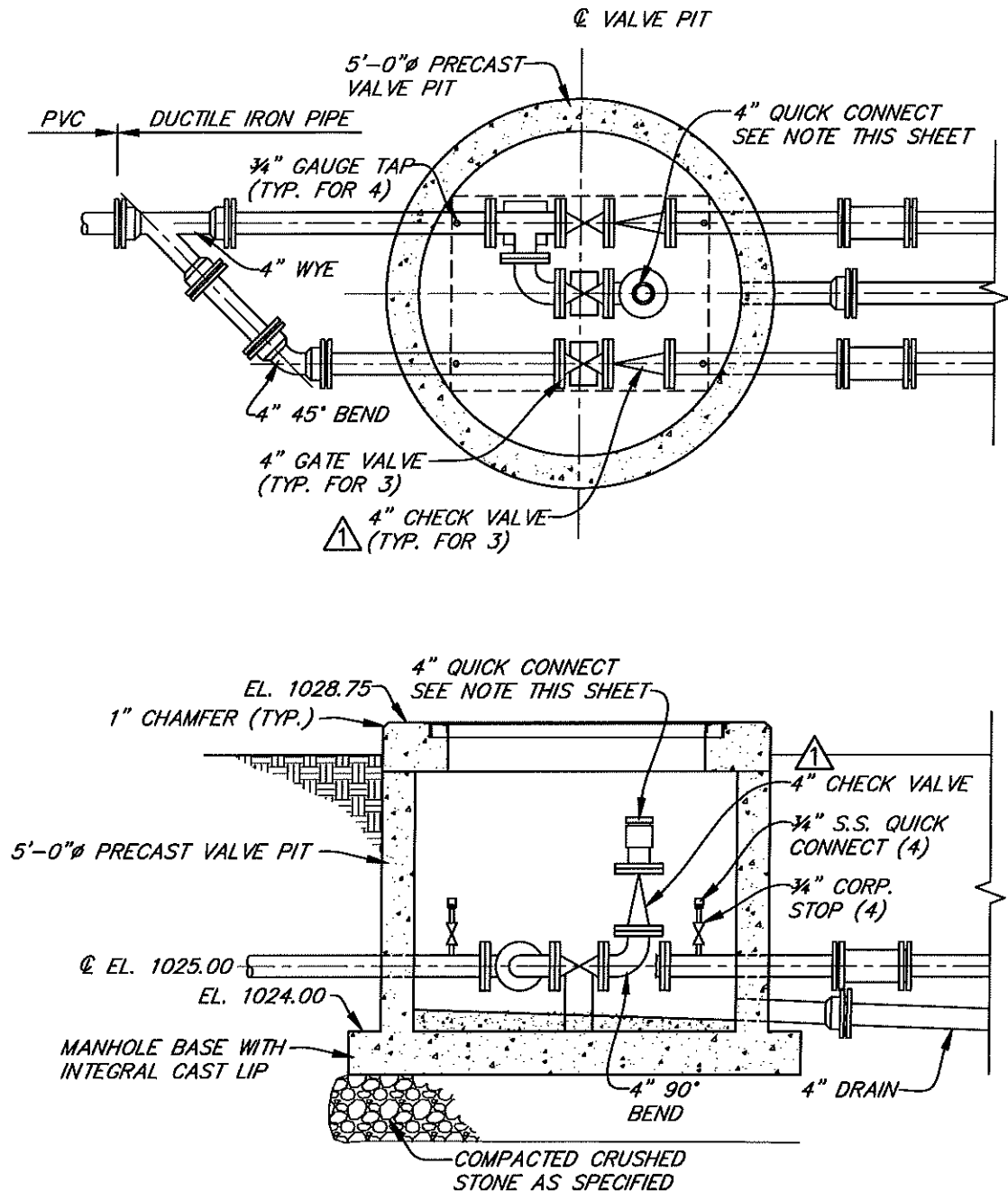
Note: The Owner reserves the right to delete any or all BID FORMS from the work without price adjustment and to select any combination of BID FORMS in determining the low bidder for the contract.

**5b. Equipment to be Furnished**

*The prices for equipment listed below for work to be constructed under Section 5 are included in the lump sum prices shown previously as Item 5a. Sewage Pumping Stations. The BIDDER shall use the item listed as an acceptable Base Bid item as the basis for arriving at his overall price. The prices shown below shall include the cost of furnishing the various equipment items.*

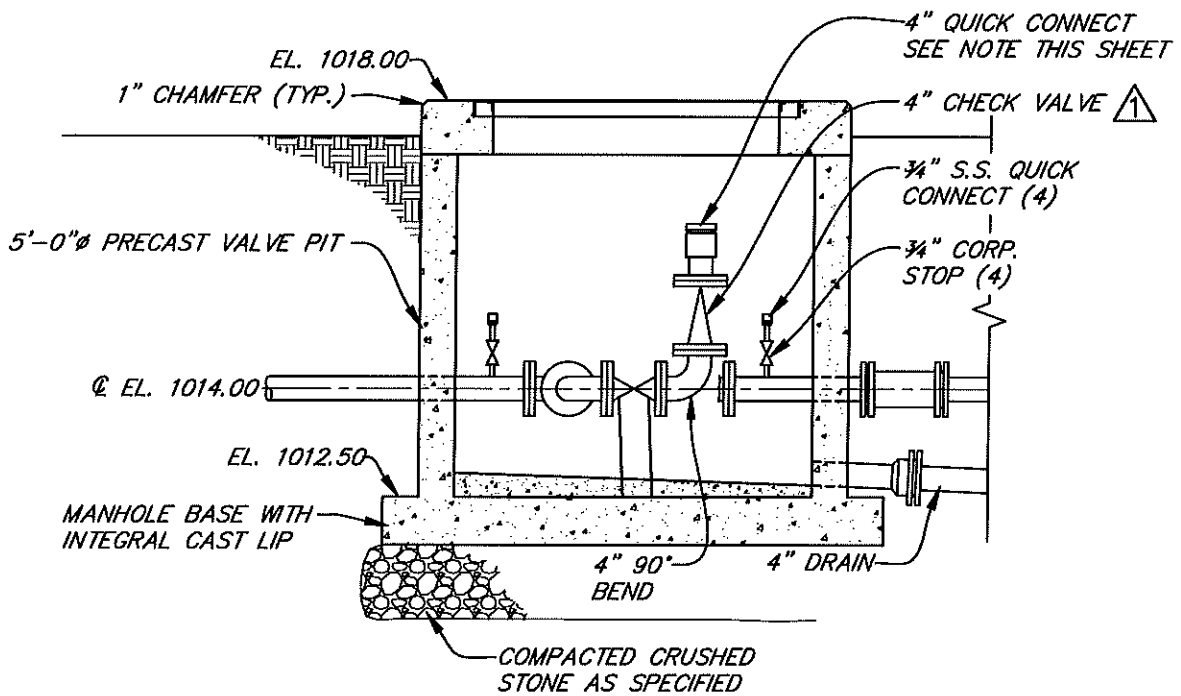
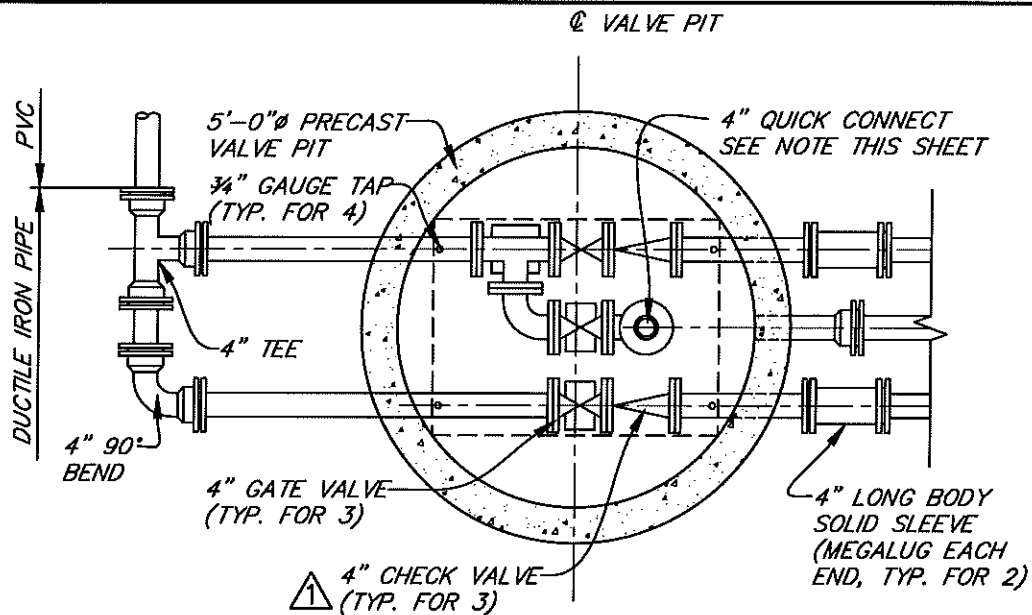
*The prices listed hereinafter are not to be in addition to the Lump Sum Prices in Paragraph 5.a. but are to be included in them.*

<b>Section</b>	<b>Description</b>	<b>Sewage Pumping Station</b>	<b>Equipment Used in Base Bid</b>
<b>5</b>	<b><u>Submersible Sewage Pumps and Control Panel</u></b>		
	<b>Wascon Sales and Service</b>	<b>Hillcrest SPS</b>	<b><u>\$26,103.22</u></b>
	<b>Wascon Sales and Service</b>	<b>Buena Vista SPS</b>	<b><u>\$37,621.67</u></b>
	<b>Wascon Sales and Service</b>	<b>High School SPS</b>	<b><u>\$27,673.66</u></b>
	<b>Wascon Sales and Service</b>	<b>Hidden Valley SPS</b>	<b><u>\$31,771.85</u></b>
	<b>Wascon Sales and Service</b>	<b>Industrial Park SPS</b>	<b><u>\$36,946.62</u></b>



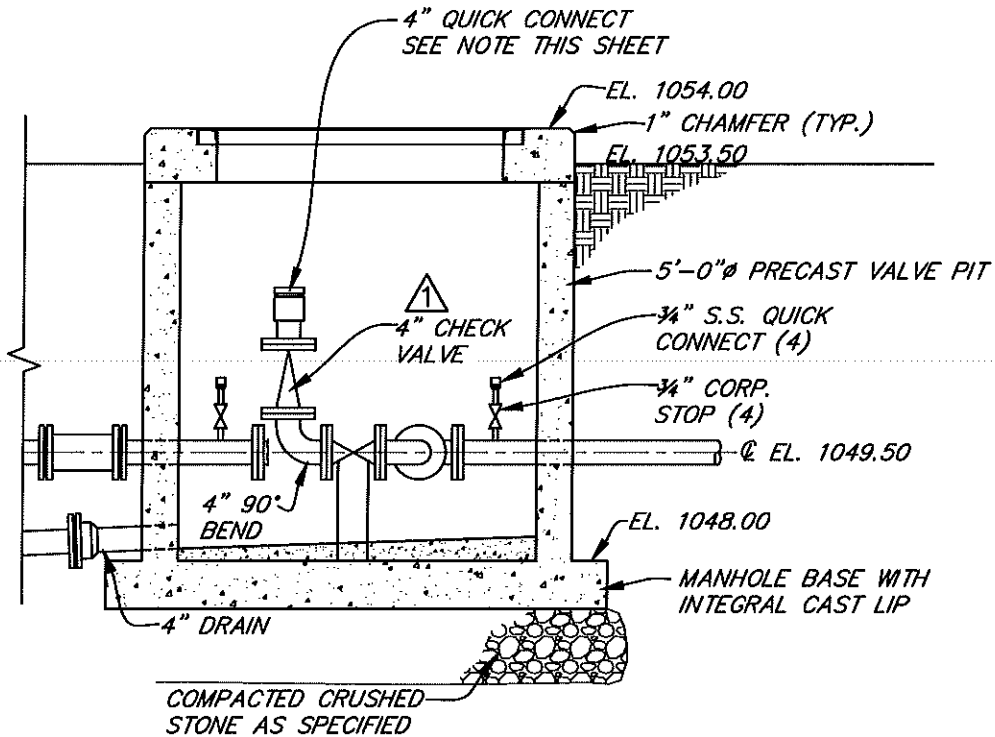
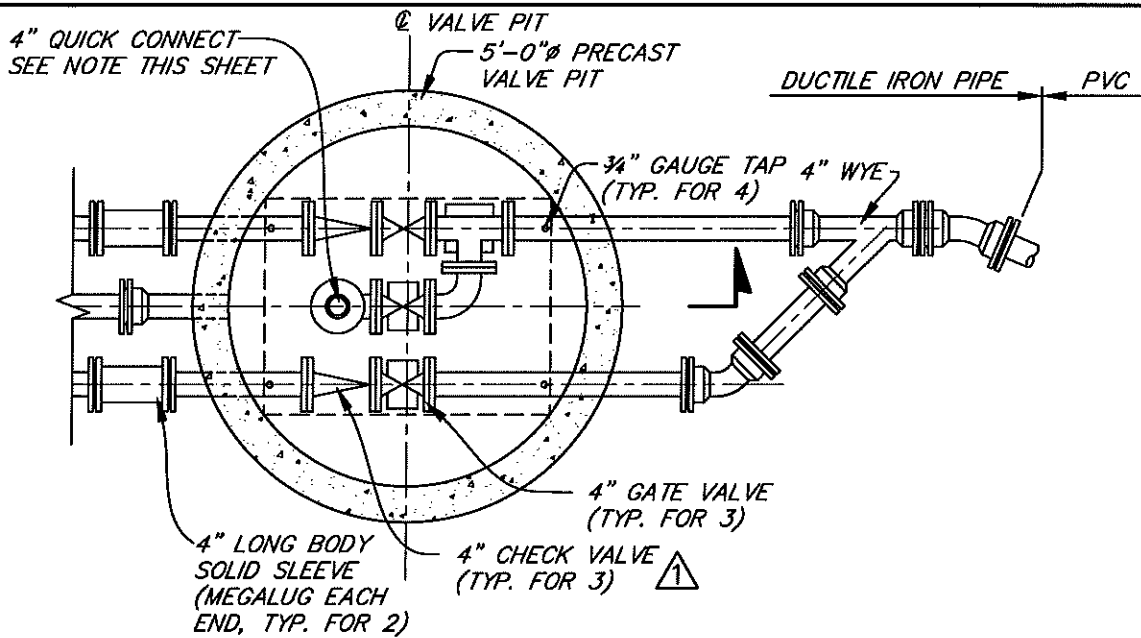
**▲ HILLCREST SEWAGE PUMPING STATION**  
 SCALE: 3/8" = 1'-0"

SHEET <b>2</b> OF <b>15</b>		<b>SEWER SYSTEM IMPROVEMENTS</b>	
REVISION OR ISSUE		CONTRACT <b>19-01</b>	
▲ ADDENDUM NO. 1 7/5/2019		SEWAGE PUMPING STATION RENOVATIONS	
		<b>HILLCREST SPS RENOVATION</b>	
		FOR	
		<b>LIVINGSTON, TENNESSEE</b>	
		SCALE	<b>WAUFORD</b>
		AS SHOWN	
PROJECT NUMBER		DATE	J. R. Wauford & Company, Consulting Engineers, Inc. Nashville, Tennessee (615)883-3243 www.jrwauford.com
2067		APRIL, 2019	
		DESIGNED	DGT
		DRAWN	WZM
		CHECKED	JGD



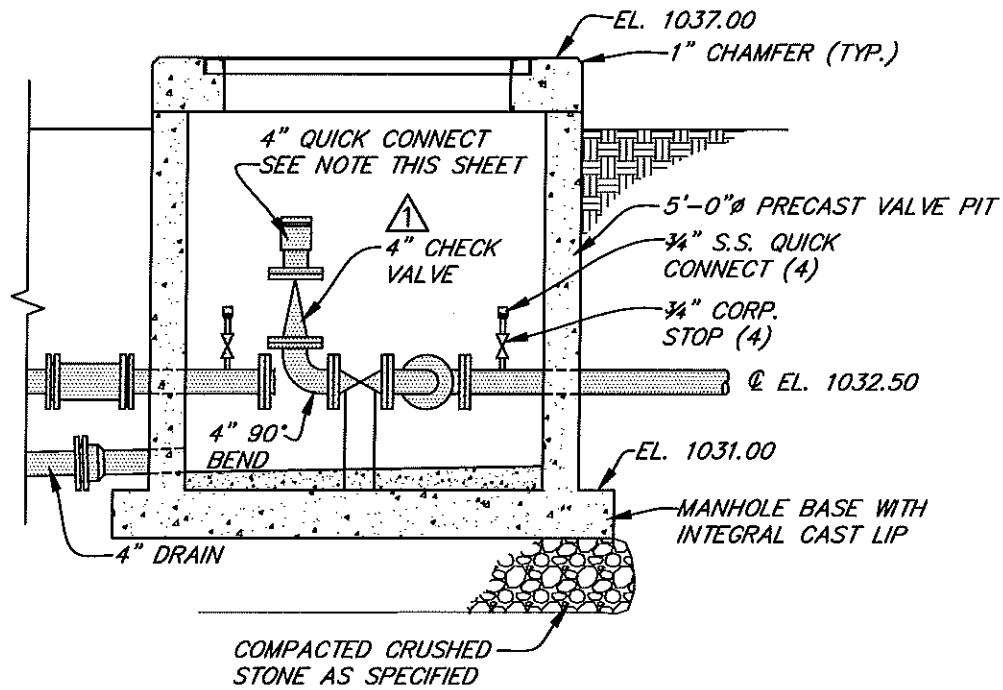
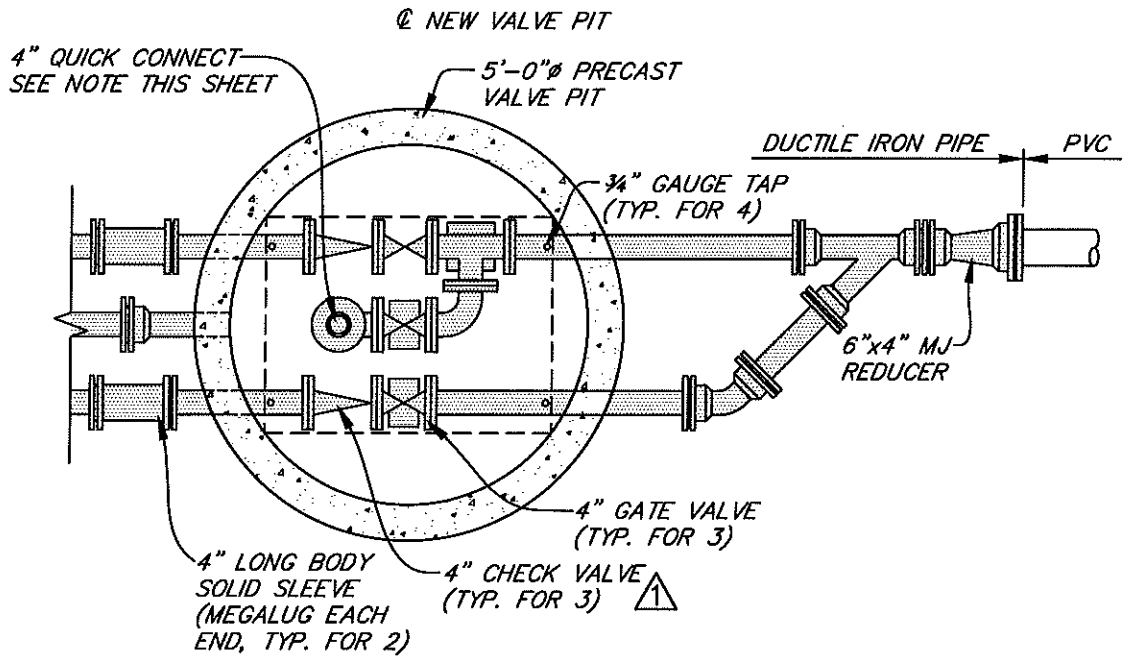
1 BUENA VISTA SEWAGE PUMPING STATION  
 SCALE: 3/8" = 1'-0"

SHEET <b>4</b> OF <b>15</b>		<b>SEWER SYSTEM IMPROVEMENTS</b>	
REVISION OR ISSUE		CONTRACT 19-01	
1 ADDENDUM NO. 1 7/5/2019		SEWAGE PUMPING STATION RENOVATIONS	
		<b>BUENA VISTA SPS RENOVATION</b>	
		FOR	
		<b>LIVINGSTON, TENNESSEE</b>	
		SCALE	<b>WAUFORD</b>
		AS SHOWN	
PROJECT NUMBER		DATE	J. R. Wauford & Company, Consulting Engineers, Inc. Nashville, Tennessee (615)883-3243 www.jrwauford.com
2067		APRIL, 2019	
		DESIGNED	DGT
		DRAWN	WZM
		CHECKED	JGD



**⚠ HIGH SCHOOL SEWAGE PUMPING STATION**  
SCALE: 3/8" = 1'-0"

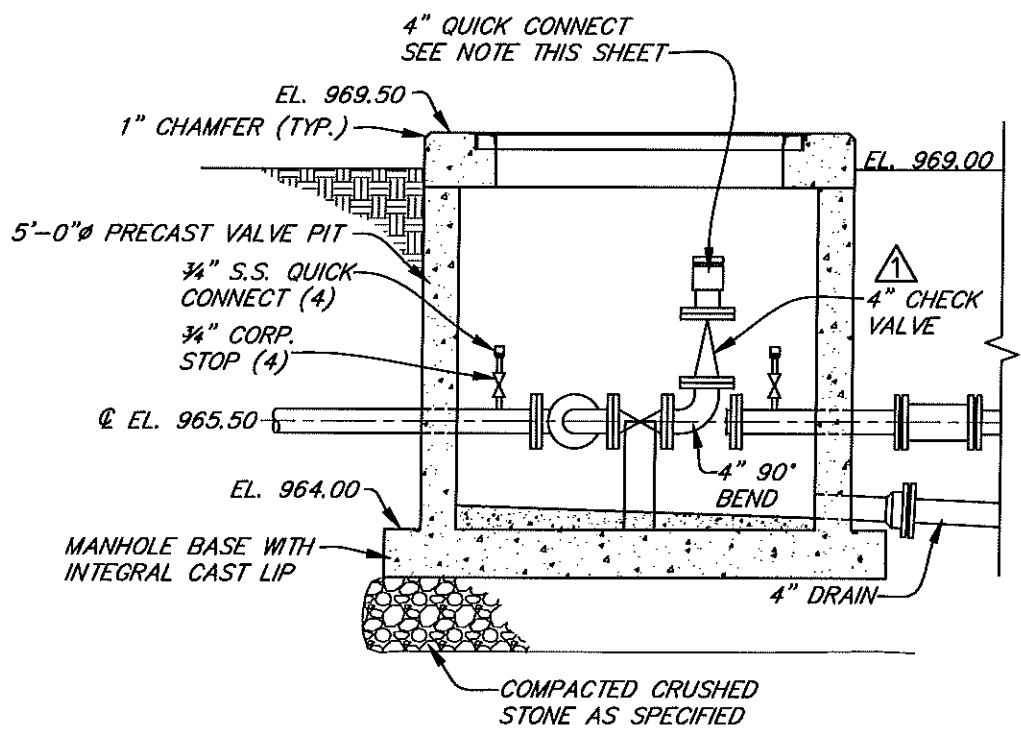
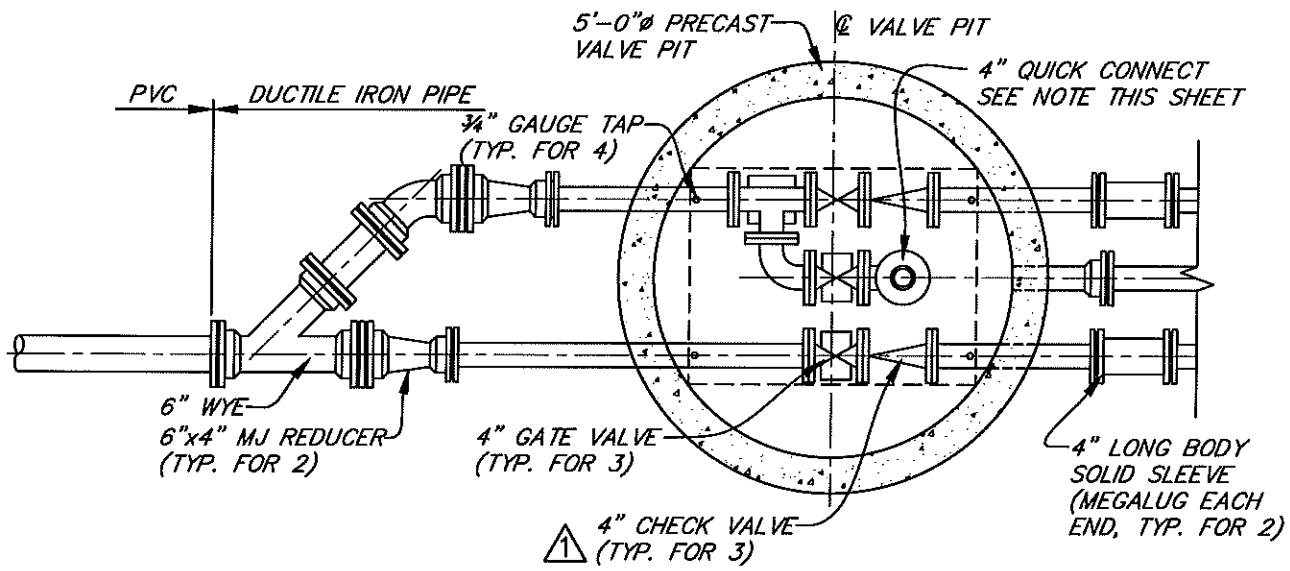
SHEET <b>6</b> OF <b>15</b>		<b>SEWER SYSTEM IMPROVEMENTS</b>	
REVISION OR ISSUE		CONTRACT 19-01	
⚠ ADDENDUM NO. 1 7/5/2019		SEWAGE PUMPING STATION RENOVATIONS	
		<b>HIGH SCHOOL SPS RENOVATION</b>	
		FOR	
		<b>LIVINGSTON, TENNESSEE</b>	
		SCALE	<b>WAUFORD</b>
		AS SHOWN	
PROJECT NUMBER		DATE	J. R. Wauford & Company, Consulting Engineers, Inc. Nashville, Tennessee (615)883-3243 www.jrwauford.com
2067		APRIL, 2019	
		DESIGNED	DGT
		DRAWN	WZM
		CHECKED	JGD



⚠ **HIDDEN VALLEY SEWAGE PUMPING STATION**  
 SCALE: 3/8" = 1'-0"

SHEET <b>8</b> OF <b>15</b>		<b>SEWER SYSTEM IMPROVEMENTS</b>	
REVISION OR ISSUE		CONTRACT 19-01	
⚠	ADDENDUM NO. 1 7/5/2019	SEWAGE PUMPING STATION RENOVATIONS	
		<b>HIDDEN VALLEY SPS RENOVATION</b>	
		FOR	
		<b>LIVINGSTON, TENNESSEE</b>	
		SCALE	<b>WAUFORD</b>
		AS SHOWN	
PROJECT NUMBER		DATE	J. R. Wauford & Company, Consulting Engineers, Inc. Nashville, Tennessee (615)883-3243 www.jrwauford.com
2067		APRIL, 2019	
		DESIGNED	DGT
		DRAWN	WZM
		CHECKED	JGD





**INDUSTRIAL PARK SEWAGE PUMPING STATION**  
 SCALE: 3/8" = 1'-0"

SHEET <b>10</b> OF <b>15</b>		<b>SEWER SYSTEM IMPROVEMENTS</b>	
REVISION OR ISSUE		CONTRACT 19-01	
ADDENDUM NO. 1 7/5/2019		SEWAGE PUMPING STATION RENOVATIONS	
		<b>INDUSTRIAL PARK SPS RENOVATION</b>	
		FOR	
		<b>LIVINGSTON, TENNESSEE</b>	
PROJECT NUMBER		SCALE	<b>WAUFORD</b>
2067		AS SHOWN	
		DATE	J. R. Wauford & Company, Consulting Engineers, Inc. Nashville, Tennessee (615)883-3243 www.jrwauford.com
		APRIL, 2019	
		DESIGNED	DGT
		DRAWN	WZM
		CHECKED	JGD