

ADDENDUM NO. 2
WATER SYSTEM IMPROVEMENTS
CONTRACT 19-01 – PINEHAVEN TANK PAINTING
FENTRESS COUNTY UTILITY DISTRICT
JAMESTOWN, TENNESSEE
WAUFORD PROJECT NO. 2072

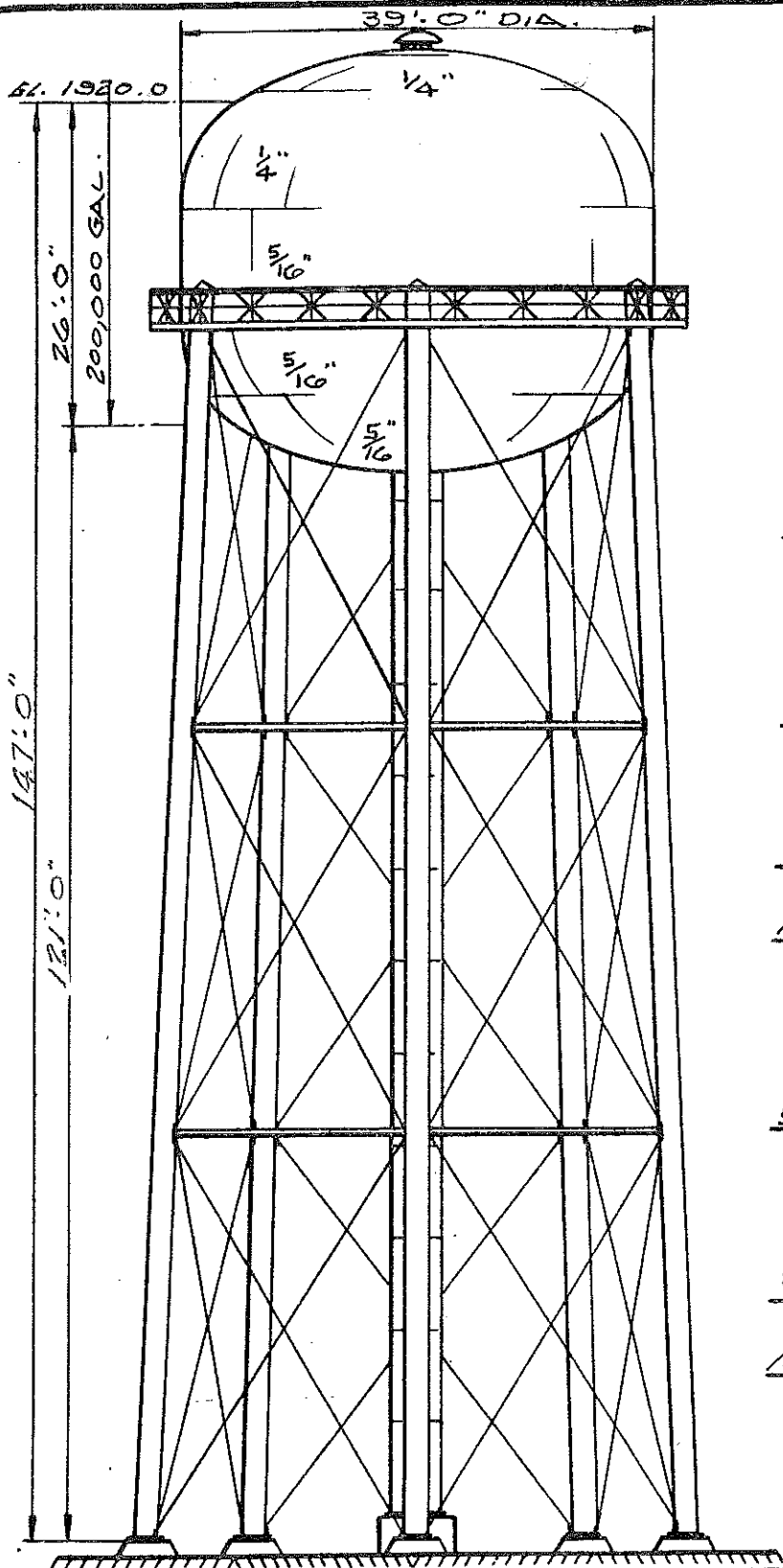
Date of Addendum: Wednesday, May 8, 2019
Bid Opening: Tuesday, May 14, 2019, 2:00 P.M. Local Time

1. The attached shop drawings of the tank are provided for each bidder's convenience but are not guaranteed.

J. R. WAUFORD & COMPANY,
CONSULTING ENGINEERS, INC.



J. Gregory Davenport, P.E.
Tennessee License No. 104881



NOTE
 FITTINGS AND ACCESSORIES
 FURNISHED IN ACCORDANCE
 WITH SPECIFICATION. EQUIVALENT
 SECTION MAY BE USED IN STRUCTURE

48" DIA. RISER 1/4" TK.

5 COLUMNS 20" DIA. 0.422" TK.

10 RODS 1 1/8" DIA.

5 STRUTS 8W24

5 COLUMNS 20" DIA. 0.438" TK.

10 RODS 1 1/4" DIA.

5 STRUTS 8W31

5 COLUMNS 20" DIA. 0.438" TK.

10 RODS 1 3/8" DIA.

DESIGNED PER: AWWA D-100-73
 WIND: 100 MPH
 MATERIAL:
 PLATE: A-283-C
 STRUCTURALS: A-36
 CORROSION ALLOWANCE: 0

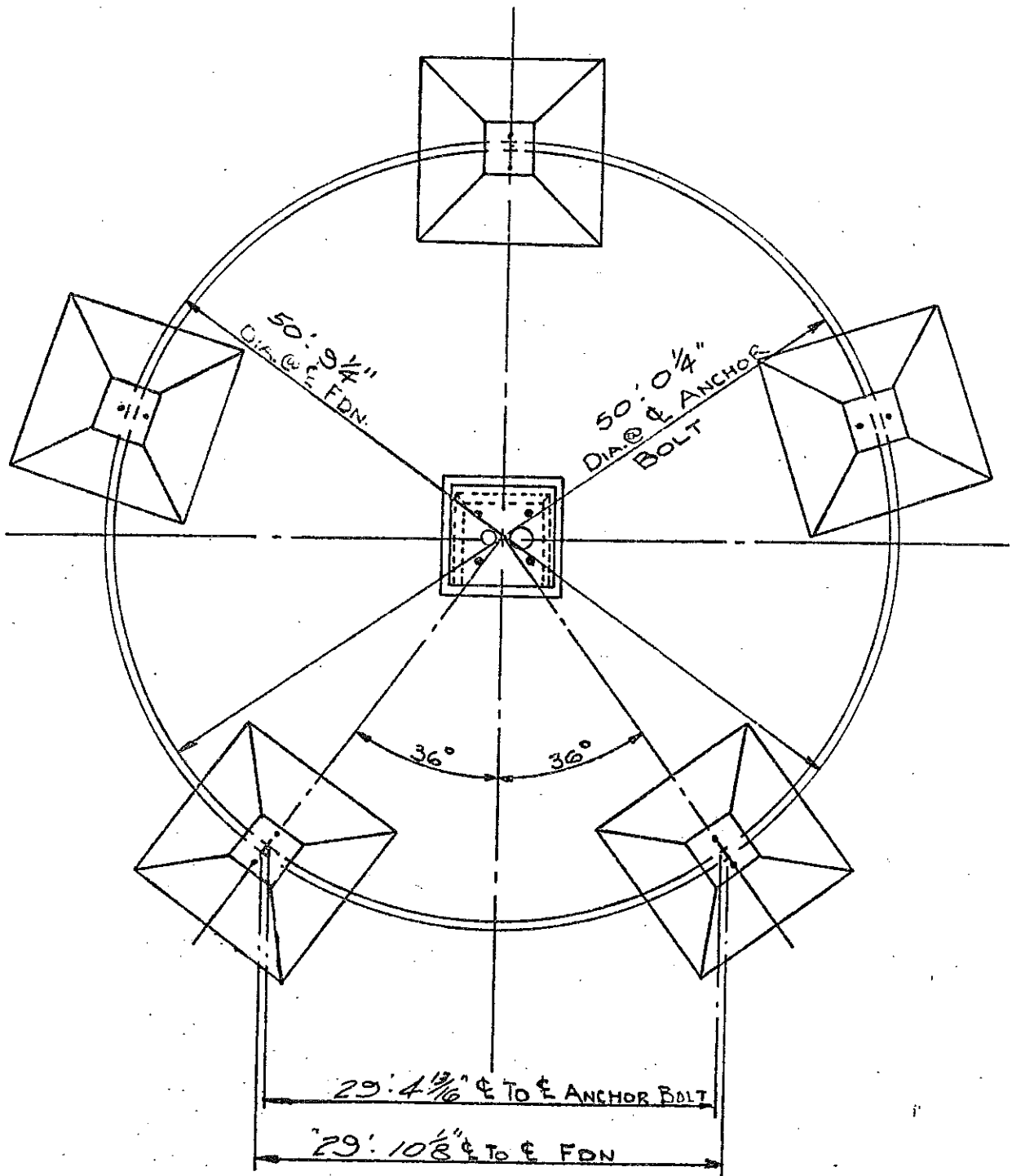
BROWN STEEL CONTRACTORS, INC.
 BOX 1037 NEWNAN, GA.

DESCRIPTION
 200,000 GALLON "D-E"

CUSTOMER
 FENTRESS COUNTY, TENNESSEE

DRAWN BY MAM	DATE 8/2/79	CHECKED BY	DATE
JOB NO. 958-79	DWG. NO. 958-79	SHEET NO. 1 OF 29	

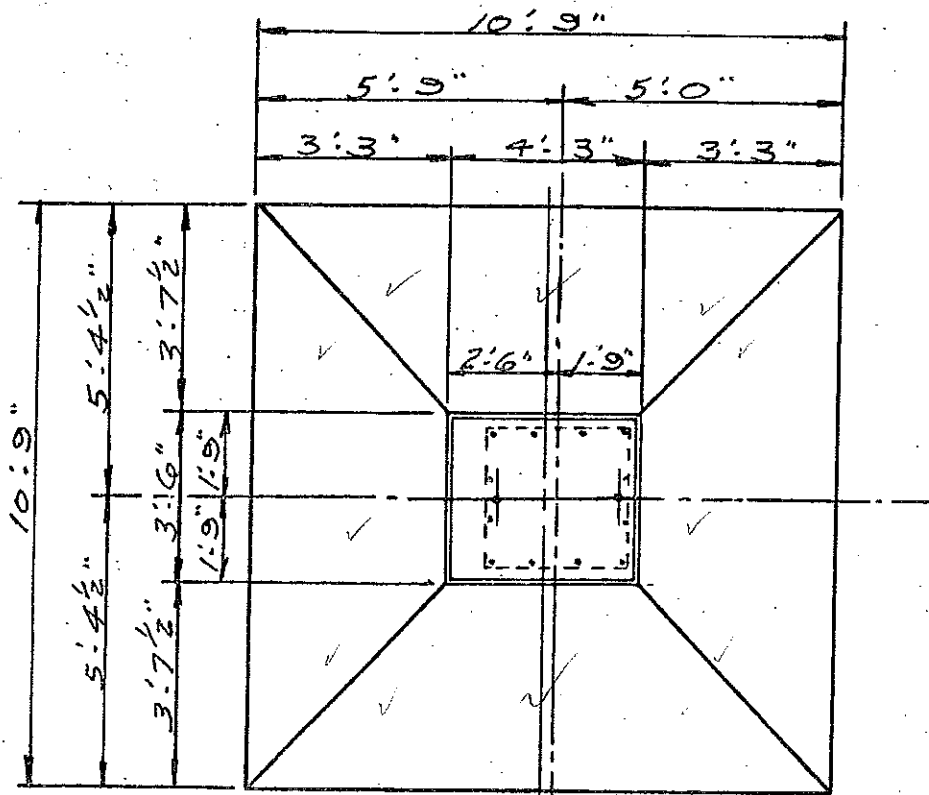
OK 7/2/79



OFFICE COPY (6)
OK CSR (9/20/79)

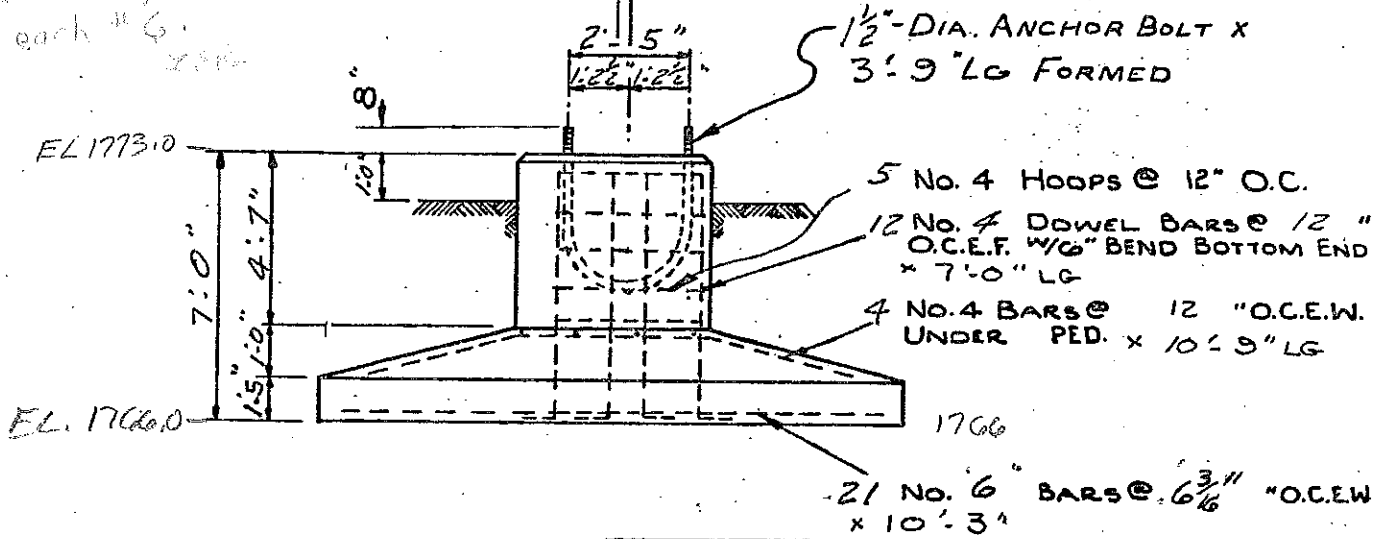
RECEIVED SEP 4 1979
Due Out SEP 25 1979

BROWN STEEL CONTRACTORS, INC. BOX 1037 NEWNAN, GA.			
DESCRIPTION FOUNDATION LAYOUT FOR 200,000 GAL. ELEV. TANK x 147'-0" TO OVERFLOW			
CUSTOMER FENTRESS COUNTY, TENNESSEE			
DRAWN BY	DATE	CHECKED BY	DATE
J. H.	9/23/79		
JOB NO.	DWG. NO.	SHEET NO. F1 OF 5	
958-79	958		



4 1/2" ϕ FDN
 4 1/2" ϕ ANCHOR BOLTS
 DIA. AT ϕ 'S COLS. = 50'-0 1/4"

Note (9/6/79)
 Contractor was short about 12 #6's on one of the RW's OK'd buying 2-#14's to replace each #6.



5 COLUMN FOUNDATIONS CONTAIN:
 55 CU. YDS. CONCRETE
 4100 LBS. REINFORCING STEEL
 4000 P.S.F. SOIL BEARING

BROWN STEEL CONTRACTORS, INC.			
BOX 1037		NEWNAN, GA.	
DESCRIPTION			
COLUMN FOUNDATION			
CUSTOMER			
FENTRESS COUNTY, TN			
DRAWN BY	DATE	CHECKED BY	DATE
J. HILL	7/23/79		
JOB NO.	DWG. NO.		
958-79	958	15 SHEET NO. F2 OF 5	

Ⓢ 8/29/79 REV. BOT. STEEL
 Ⓢ 8/3/79 REV. DESIGN