

ADDENDUM NO. 1  
SEWER SYSTEM IMPROVEMENTS  
CONTRACT 19-01  
G.E. AND SANTA FE SEWAGE PUMPING STATION RENOVATIONS  
COLUMBIA, TENNESSEE  
WAUFORD PROJECT NO. 2000

Date of Addendum: Friday, May 31, 2019

Mandatory Pre-Bid Meeting: Thursday, May 30, 2019, 10:00 A.M. Local Time

Bid Opening: Tuesday, June 11, 2019, 2:00 P.M. Local Time

1. The following contractors are prequalified to submit bids for this project.

Cumberland Valley Constructors, Inc.  
P. O. Box 78247  
Nashville, TN 37207  
Phone: 615-730-6182  
Fax: 615-730-6183

W & O Construction Co.  
150 Construction Drive  
Livingston, TN 38570  
Phone: 931-403-1000  
Fax: 931-403-3888

Haren Construction Co., Inc.  
1715 North Highway 411  
P.O. Box 350  
Etowah, TN 37331  
Phone: 423-263-5561  
Fax: 423-263-5573

2. See attached sign-in sheet from the pre-bid meeting.
3. Detailed Specifications, Section 4. Piping, Valves, Building Construction, and Site Work, Paragraph 10. Painting, Subparagraph a. General, Page DS 4-15:

Revise the first sentence as follows:

“The painting work for this contract consists of painting **all** new facilities such as piping, steel thrust restraint devices, hoist, **concrete** block, pumps, piping valves, and miscellaneous steel. **Existing facilities to be painted shall include all existing piping, conduit, and exterior of watertight doors. Existing and proposed reinforced concrete shall not be painted.**”

4. Detailed Specifications, Section 4. Piping, Valves, Building Construction, and Site Work, Paragraph 38. Precast Structures and Manhole Covers, Page DS 4-55:

Add the following Paragraph to the end of Section 4:

“38. Precast Structures and Manholes

a. Precast Concrete Structures

Precast structures shall be constructed on a reinforced concrete foundation and shall be wet or dry cast as modified herein. The bottom section of the structure shall be precast integrally with the precast ring and shall be the diameter shown on the Plans. All concrete used in connection with the construction of structure inverts shall be Class "A" concrete as specified in Section 3 of these detailed Specifications.

Precast concrete rings shall be constructed using standard forms and shall conform to ASTM Standard Specification C478 except that:

- (1) The concrete mixture shall contain no less than 846 pounds per cubic yard (9.0 bag mix) of Portland Cement.
- (2) An eccentric top core will be allowed provided it meets these Detailed Specifications.
- (3) All joints shall conform to Section 8 of ASTM Designation C 361; except the Contractor(s) shall utilize a double seal of Ram-Neck as shown on the Plans.

The precast sections shall be manufactured and installed in a manner so that there is no visible leakage. The structure sections shall be manufactured in lengths such that a finished structure will have the least possible number of joints. One section less than four feet in length will be allowed per structure and that being the section required to bring the structure to grade. NO HOLES FOR LIFTING WILL BE ALLOWED. The precast rings shall be of the tongue and groove design sealed watertight, and the joint shall be grouted smooth on the inside and outside of the structure so that no crack is visible.

The outside surface of all precast structures shall be coated with two layers of bitumastic coating applied at right angles to each other.

b. Manhole Frames and Covers

Manhole frames shall be furnished and set in a bed of mastic and BOLTED to the concrete as shown on the Plans. The standard frame and cover shall be traffic type of grey cast iron ASTM Designation A 48-83 with a 24-inch diameter opening weighing not less than 400 pounds as shown on the Plans. The covers shall be the solid self-sealing type with no holes except watertight pick notches or a heavy lifting ring. The surface between the cover and frame shall fit smoothly without rocking and shall be thoroughly cleaned. Special attention shall be given to insure the proper installation of the rubber gasket in the self-sealing cover. The gasket shall have at least 1/4-inch diameter cross-section. The frame shall be attached to the manhole barrel by means of four 5/8-inch anchor bolts and shall be set in a bed of mastic so as to constitute a watertight seal between the barrel and the frame.

c. Watertight Manhole Frames and Covers

The manhole frames shall be set in the same matter prescribed for standard frames except special attention shall be paid to securing a watertight connection to the manhole barrel.

The watertight manhole frame and cover shall be a traffic type of grey cast iron ASTM Designation A 48-03 with a twenty-four (24) inch diameter minimum clear opening weighing not less than four hundred fifty (450) pounds and shall be of the single cover design as shown on the Plans.

The surface cover shall be the solid type with no holes except watertight pick notches or a heavy lifting ring. The surface between this cover and frame shall fit without rocking. The cover shall be of the solid type with four (4) holes for the purpose of securing the manhole cover to the frame and shall have a neoprene sealing gasket at least 7/16-inch diameter cross-section with a hollow center. The bolts shall be hex-head a minimum of 3/8-inch diameter and 1 1/2-inch long and made of stainless steel. Each bolt shall be equipped with a stainless

steel washer. The frame shall be attached to the manhole barrel by means of four (4) 5/8-inch anchor bolts and shall be set in a bed of mastic so as to constitute a watertight seal between the barrel and the frame. Watertight manhole frames and covers shall be equal to John Bouchard & Sons No. 1266.”

5. BID FORM:

Replace Page BF-5 and BF-6 with attached Page BF-5\* and BF-6\*.

6. Plans, Sheet 1:

Add the manhole frame and cover details as depicted at the attached 8 ½” x 11” sheets.

J. R. WAUFORD & COMPANY,  
CONSULTING ENGINEERS, INC.



---

J. Gregory Davenport, P.E.  
Tennessee License No. 104881

Sign in Sheet – Pre-Bid Conference

SEWER SYSTEM IMPROVEMENTS

CONTRACT 19-01

G.E. AND SANTA FE SEWAGE PUMPING STATION RENOVATIONS

COLUMBIA, TENNESSEE

WAUFORD PROJECT NO. 2000

PRE-BID CONFERENCE: THURSDAY, MAY 30, 2019, 10:00 A.M. CENTRAL TIME

BID OPENING: TUESDAY, JUNE 11, 2019, 2:00 P.M. CENTRAL TIME

Name	Organization	Email
Greg Davenport	Wauford	gregdejr@auford.com
Mark Williams	City of Columbia	mwilliams@columbiatn.com
Donnie Boshers	City of Columbia	dboshers@columbia.com
Jesse Sutphin	John Bouchard & son	Jesse.Sutphin@JBouchard.com
Ryan Gutridge	Cumberland Valley	rgutridge@cvcbuilds.com
PAUL BARNES	CVC	pbarnes@cvcbuilds.com
RICK CHINESTER	HAREN CONSTRUCTION	COSBORNE <del>CO</del> HARENCONSTRUCTION.COM
Brian Kyffin	W+O Construction Co	bids@wocc.com
Raddy Scaff	FAST ELECTRIC	rscaff@fastelect.com
Michael Elliott	Xylem Dewatering	michael.elliott@xylem-inc.com
Chad Holt	United Rentals Trench Safety	cholt1@ur.com
Ralph Voyles	United Rentals Fluid Solutions	rvoyles@ur.com

**Sign in Sheet – Pre-Bid Conference**

**SEWER SYSTEM IMPROVEMENTS**  
**CONTRACT 19-01**  
**G.E. AND SANTA FE SEWAGE PUMPING STATION RENOVATIONS**  
**COLUMBIA, TENNESSEE**  
**WAUFORD PROJECT NO. 2000**

PRE-BID CONFERENCE: THURSDAY, MAY 30, 2019, 10:00 A.M. CENTRAL TIME  
BID OPENING: TUESDAY, JUNE 11, 2019, 2:00 P.M. CENTRAL TIME

Name	Organization	Email
Richard Gonzalez	Rockwell Automation	↕
Brett Bomwell	Rockwell Automation	bhbmwel@ra.rockwell.com
GREG TAPLEY	POWERTEK LLC	gtapley@powertekllc.com
Mark Tapley	IN2 Electric	mptapley@charter.net
Wayne Pruitt	Col. WW	wpruitt@columbiatn.com

9. CONTRACT 19-01 – G.E. AND SANTA FE SEWAGE PUMPING STATION RENOVATIONS (cont'd)

9.b. Equipment to be Furnished

The prices for equipment listed below for work to be constructed under Sub-Sections 5A and 5B are included in the lump sum price shown previously as Item 9.a. Lump Sum Price. The BIDDER shall use the lowest priced item listed as an acceptable Base Bid item as the basis for arriving at his overall price. The BIDDER is required to fill in the items below in order to indicate the relative prices of the equipment of various manufacturers which may be considered by the Owner for various reasons. The prices shown below shall include the cost of furnishing the various equipment items.

**The prices listed hereinafter are not to be in addition to the Lump Sum Price in Paragraph 9.a. but are to be included in it.**

Sub-Section	Description	Price	Equipment Used in Base Bid (Show only one per Sub-Section)
5A	<u>Submersible Type Wastewater Pumps and Accessories</u>		
	<b>Fairbanks Nijhuis</b>		<b><u>\$644,579.00</u></b>
5A	<u>Variable Frequency Drives</u>		
	<b>Irby Electric</b>		<b><u>\$361,297.22</u></b>
5B	<u>Pump Automatic Control System and Accessories</u>		
	<b>Southern Sales Company, Inc.</b>		<b><u>\$93,563.00</u></b>

"Or Approved Equal"

It is not the intention of this document to limit equipment to only those manufacturers listed above. Desired substitutions may be submitted to the Engineer for consideration not less than 10 days before the Bid Date. Addenda will be issued notifying all bidders of equipment which is determined to be "approved equal" prior to the Bid Date.

BID FORM  
2000 – February 2019

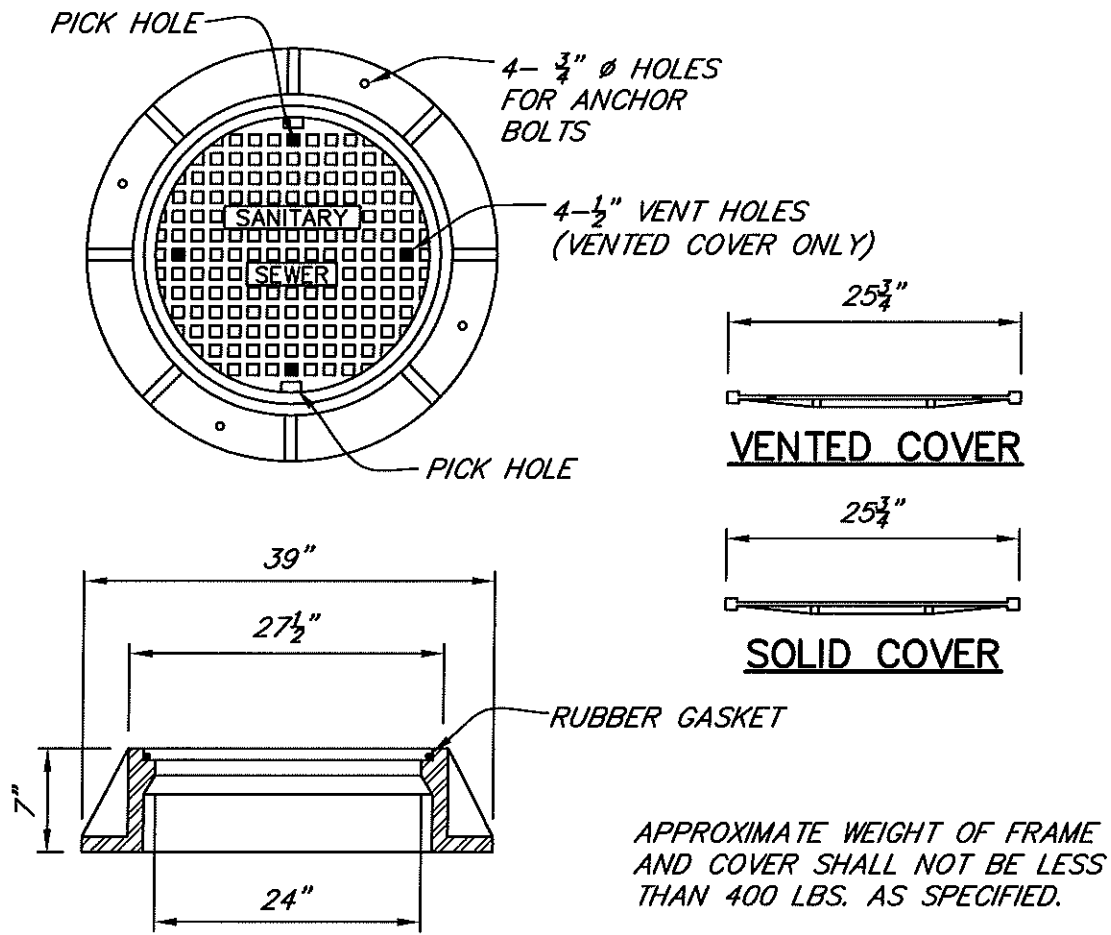
9. CONTRACT 19-01 – G.E. AND SANTA FE SEWAGE PUMPING STATION RENOVATIONS (cont'd)

9.c. Additive Alternate No. 1

ITEM NUMBER	APPROXIMATE QUANTITY	DESCRIPTION WITH UNIT BID PRICE WRITTEN IN WORDS	UNIT PRICE	TOTAL PRICE
9.c.	Lump Sum	Standby generator, automatic transfer switch, generator concrete pad, and all electrical connections required at Santa Fe SPS For _____ _____ Dollars _____ Cents, lump sum		\$ _____
ADDITIVE ALTERNATE NO. 1 AMOUNT CONTRACT 19-01 ADD ITEM 9.C.				\$ _____

***The Owner reserves the right to award Contract 19-01 based on the lowest total amount bid depicted at Page BF-4, or the lowest total amount bid depicted at Page BF-4 plus the Additive Alternate No. 1 amount depicted on Page BF-6\*.***



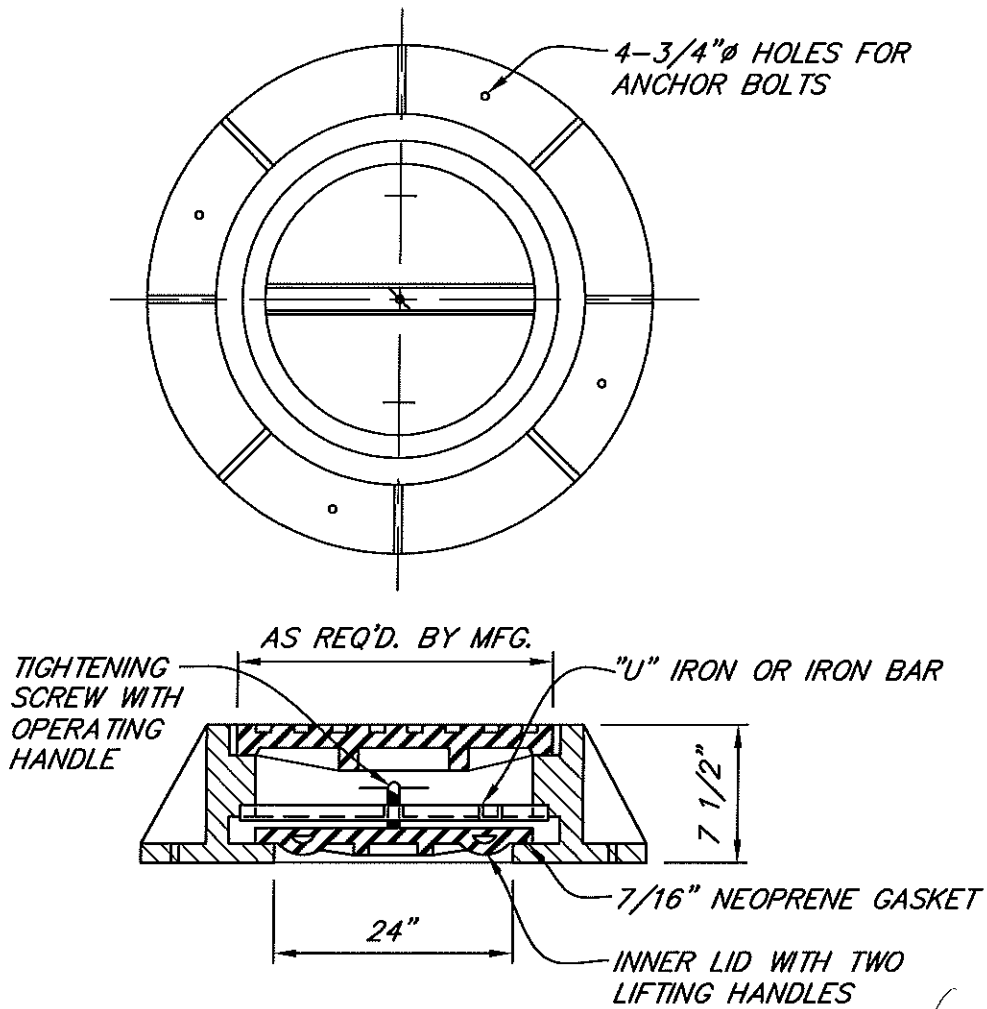


APPROXIMATE WEIGHT OF FRAME AND COVER SHALL NOT BE LESS THAN 400 LBS. AS SPECIFIED.

**△ STANDARD MANHOLE FRAME & COVER**  
(SELF SEALING)

SHEET <b>1</b> OF <b>18</b>		<b>SEWER SYSTEM IMPROVEMENTS</b>	
REVISION OR ISSUE		CONTRACT 19-01	
△	ADDENDUM NO.1 5/31/19	G.E. AND SANTA FE SEWAGE PUMPING STATION RENOVATIONS	
		<b>G.E. SEWAGE PUMPING STATION</b>	
		<b>EXISTING SITE PLAN AND DETAILS</b>	
		FOR	
		<b>COLUMBIA, TENNESSEE</b>	
		SCALE	<b>WAUFORD</b>
		AS SHOWN	
PROJECT NUMBER		DATE	J. R. Wauford & Company, Consulting Engineers, Inc. Nashville, Tennessee (615)883-3243 www.jrwauford.com
2000		FEB. 2019	
		DESIGNED	DGT
		DRAWN	WZM
		CHECKED	JGD

APPROXIMATE WEIGHT OF FRAME AND COVER SHALL NOT BE LESS THAN 450 LBS. AS SPECIFIED; ACTUAL SAMPLE FRAME AND COVER MAY BE REQUIRED



**▲ WATERTIGHT MANHOLE FRAME & COVER**

SHEET <b>1</b> OF <b>18</b>		<b>SEWER SYSTEM IMPROVEMENTS</b>	
REVISION OR ISSUE		<b>CONTRACT 19-01</b>	
▲	ADDENDUM NO.1 5/31/19	G.E. AND SANTA FE SEWAGE PUMPING STATION RENOVATIONS	
		<b>G.E. SEWAGE PUMPING STATION</b>	
		<b>EXISTING SITE PLAN AND DETAILS</b>	
		FOR	
		<b>COLUMBIA, TENNESSEE</b>	
		SCALE	<b>WAUFORD</b>
		AS SHOWN	
		DATE	J. R. Wauford & Company, Consulting Engineers, Inc.
PROJECT NUMBER	2000	FEB. 2019	Nashville, Tennessee (615)883-3243 www.jrwauford.com
			DESIGNED DGT
			DRAWN WZM
			CHECKED JGD