

ADDENDUM NO. 1
SEWER SYSTEM IMPROVEMENTS
CONTRACT 18-03
MYRENE DRIVE SEWAGE PUMPING STATION
HENDERSON WATER UTILITY
HENDERSON, KENTUCKY
WAUFORD PROJECT NO. 2016

Date of Addendum: Monday, January 7, 2019

Mandatory Pre-Bid Conference:

Wednesday, January 23, 2019, 10:00 A.M. Local Time

Bid Opening: Wednesday, February 6, 2019, 1:30 P.M. Local Time

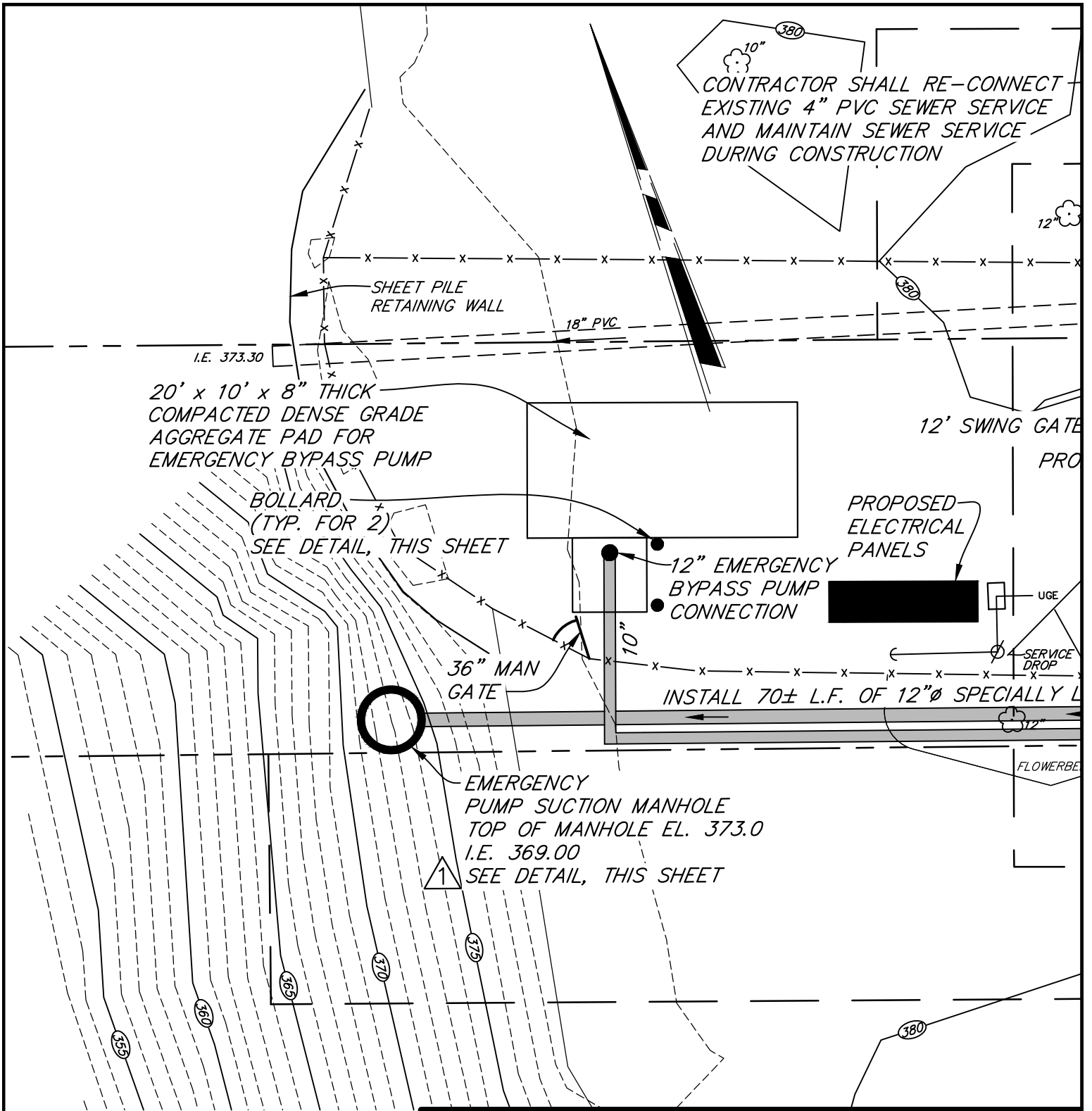
1. Plans, Sheet 3:

Modify the plans as shown on the two (2) attached 8 ½" x 11" sheets.

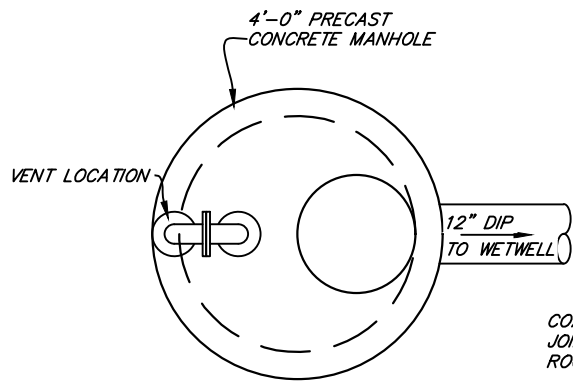
J. R. WAUFORD & COMPANY,
CONSULTING ENGINEERS, INC.



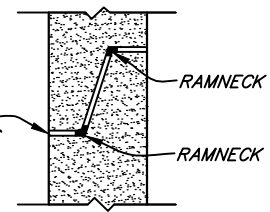
Stephen C. Lee, P.E.
Kentucky License No. 27833



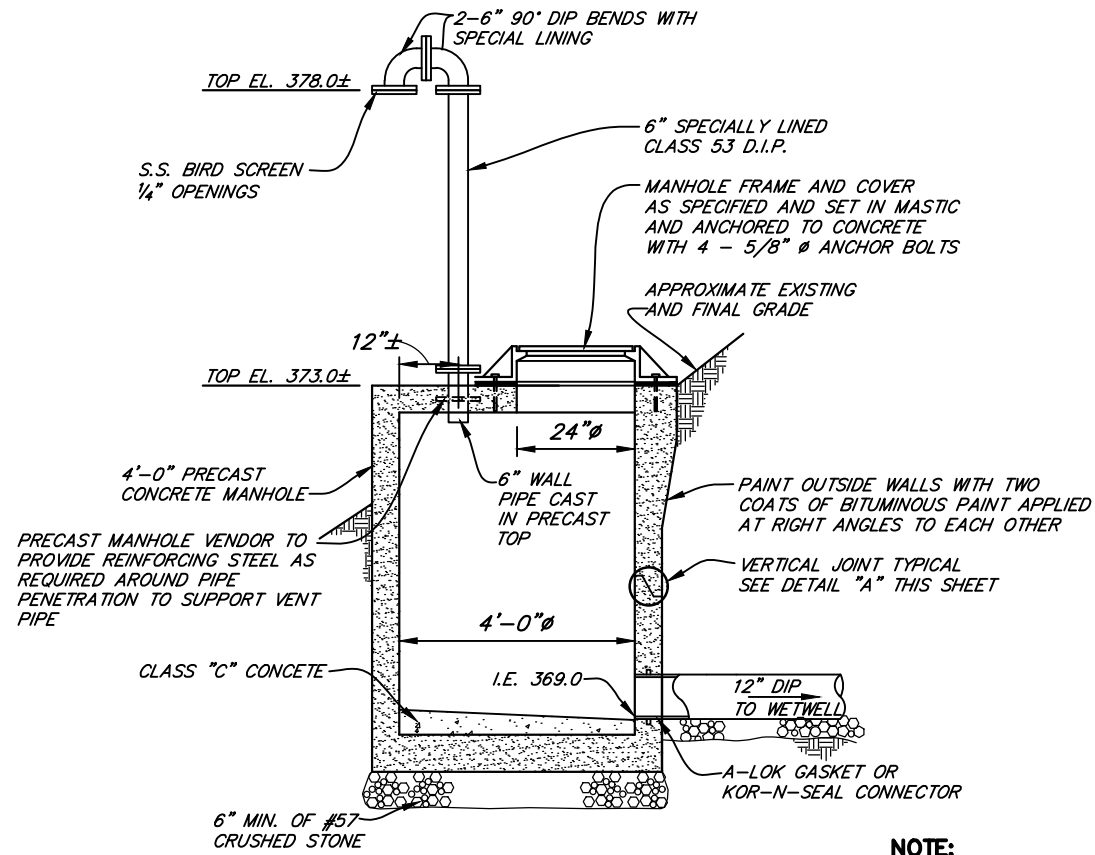
SHEET 3 OF 9		SEWER SYSTEM IMPROVEMENTS CONTRACT 18-03 MYRENE DRIVE SEWAGE PUMPING STATION	
REVISIONS		MYRENE DRIVE SEWAGE PUMPING STATION - PROPOSED SITE PLAN	
ADDENDUM NO. 1 1/7/2019 WZM		FOR HENDERSON WATER UTILITY HENDERSON, KENTUCKY	
SCALE		 J. R. Wauford & Company, Consulting Engineers, Inc. Nashville, Tennessee (615)883-3243 www.jrwauford.com	
1" = 10'			
JOB NUMBER		DATE	DRAWN AWR
2016		SEPT., 2018	CHECKED SCL



PLAN VIEW



DETAIL "A"



EMERGENCY PUMP SUCTION MANHOLE DETAIL
NOT TO SCALE

NOTE:
ALL VENT PIPES AND FITTINGS SHALL BE SUPPLIED WITH EXTERNAL EPOXY PRIMER AND FINISH COATED IN THE FIELD "SEWER GREEN" USING TNEMC SERIES 1069.

SHEET 3 OF 9		SEWER SYSTEM IMPROVEMENTS CONTRACT 18-03 MYRENE DRIVE SEWAGE PUMPING STATION	
REVISIONS ⚠ ADDENDUM NO. 1 1/7/2019 WZM		MYRENE DRIVE SEWAGE PUMPING STATION - PROPOSED SITE PLAN	
JOB NUMBER 2016		FOR HENDERSON WATER UTILITY HENDERSON, KENTUCKY	
SCALE NO SCALE	DATE SEPT., 2018	WAUFORD J. R. Wauford & Company, Consulting Engineers, Inc. Nashville, Tennessee (615)883-3243 www.jrwauford.com	DESIGNED SCL
			DRAWN AWR
			CHECKED SCL